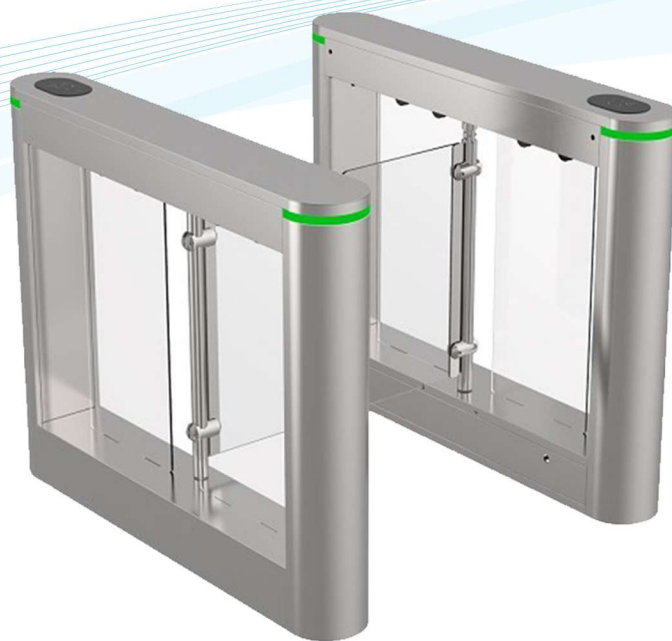




## Single Lane Swing Barrier

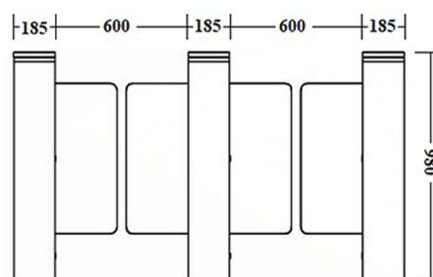
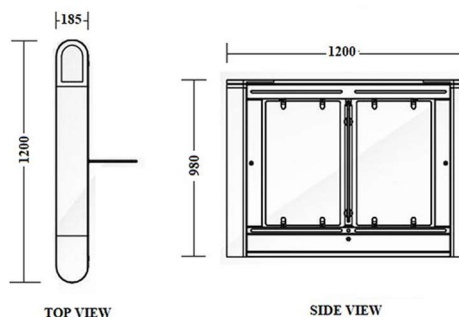
### SB-ES-3012



### Specification

- Product Size: 1200\*185\*980mm
- Pass Width: 600mm
- Net Weight: 65kg
- Thickness: 1.0mm
- Material: 1.0mm SUS 304
- Operating Time: 0.2 Seconds
- Top cover Material: 1.2mm SUS304
- Arm Material: 10mm Transparent Acrylic
- Driver: Brushed Motor
- Infrared Sensor: 4pairs
- Pass rate: 20-35p/m
- Power Supply: 100-240V(AC)
- Operational Voltage: 24V(DC)
- Max Power Consumption: 35W
- Frequency: 50-60hz
- Working Temperature: -25 to +70 °C
- MCBF: 5,000,000cycles

### Dimensions



Disclaimer: Brief specifications are mentioned here. Specifications may change without prior notice. Customers are advised to check with us before purchase. Actual product may differ slightly to that depicted for ongoing product development